



GENUINE ACCESSORIES  
INSTALLATION INSTRUCTIONS

PART NUMBER:  
0000-8K-H50

CARGO NET

APPLICABLE MODELS:  
2014 > MAZDA 6

PACKAGE CONTENTS

Cargo Net  
Installation Instructions  
Hardware Kit (Part Number: 0000-8K-H51)

T-Anchor and Double /Ended  
Stud Sub-Assembly

Rubber  
Wellnut



X4



X4

TOOLS REQUIRED

Drill  
1/2" Drill Bit  
Drill Stop  
Vacuum

**1** Preparation

1. Open Trunk.
2. Remove the carpeted trunk floor.
3. Remove the foam spacer.
4. Remove the right side plastic trunk tray.
5. Remove the 2 left push-pin retainers then remove the left side plastic trunk tray. (Fig. 1)

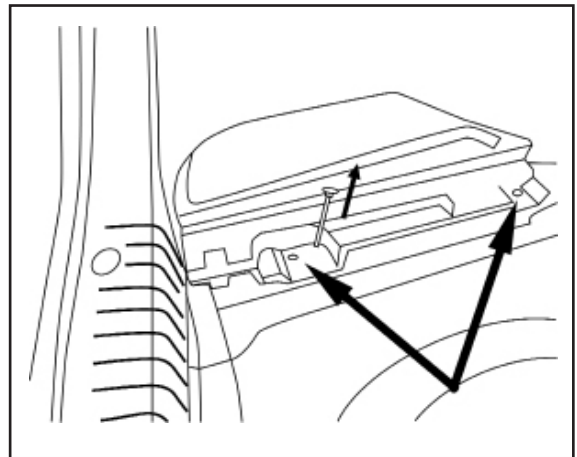


Fig. 1

**2** Remove the Trunk Sill Plate

6. Remove the 2 push-pin retainers for each side of the trunk sill plate. (Fig.2) The push-pin retainers will not be needed after this step.
7. Remove the trunk sill plate by lifting up with your hands to disengage the clips. (Fig. 3)

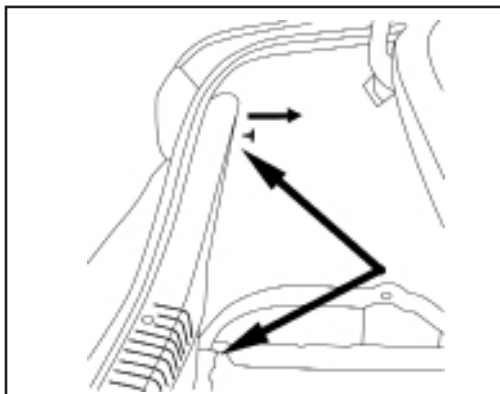


Fig. 2

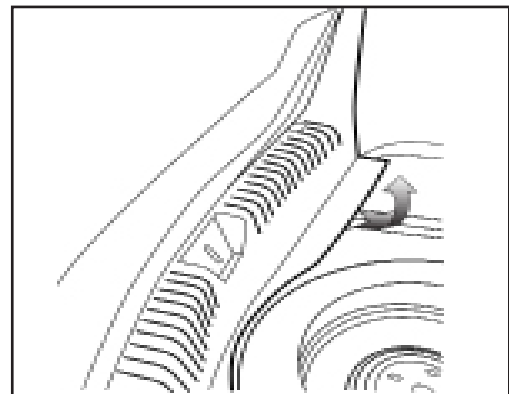


Fig. 3

### 3 Drilling

8. Where the upper push-pin retainer was removed, enlarge the hole using a drill and 1/2" drill bit, fitted with a drill stop set at 1/2". (Fig. 4)
9. Where the lower push-pin retainer was removed, pull back the trunk liner tab and enlarge the hole using a drill and 1/2" drill bit, fitted with a drill stop set at 1/2". (Fig 5)
10. Repeat for opposite side.
11. Vacuum any metal shavings from the trunk area.

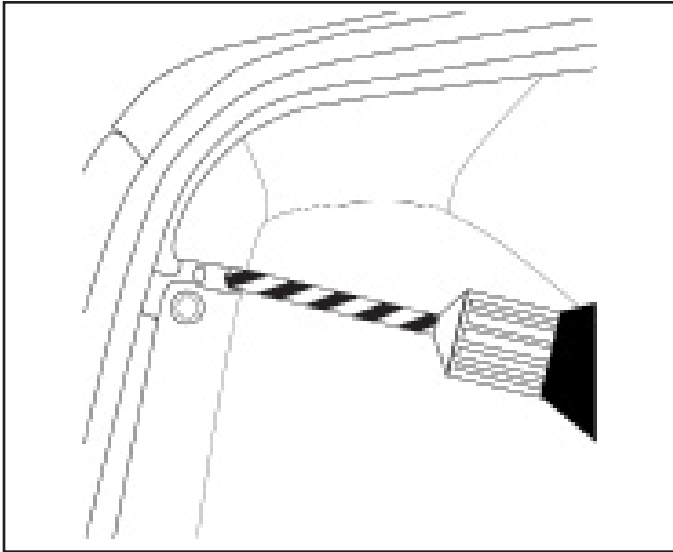


Fig. 4

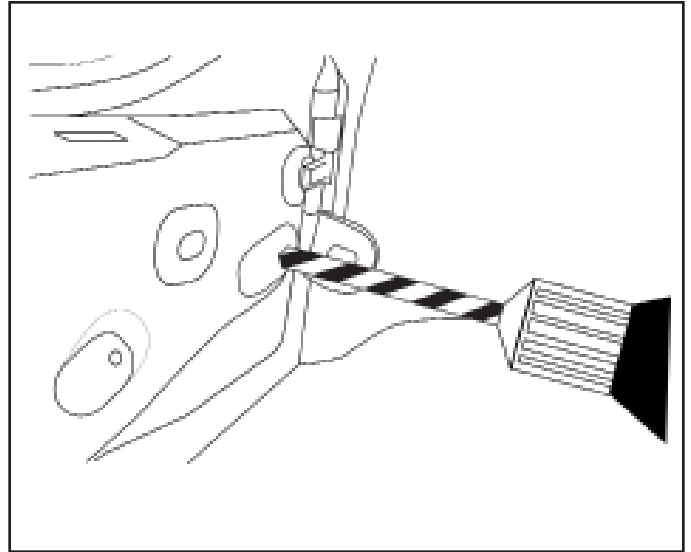


Fig. 5

### 4 Wellnut Installation

12. Insert a rubber wellnut into the upper drilled hole. (Fig. 6)
13. Pull back the trunk liner tab and insert a rubber wellnut into lower drilled hole. (Fig. 7)

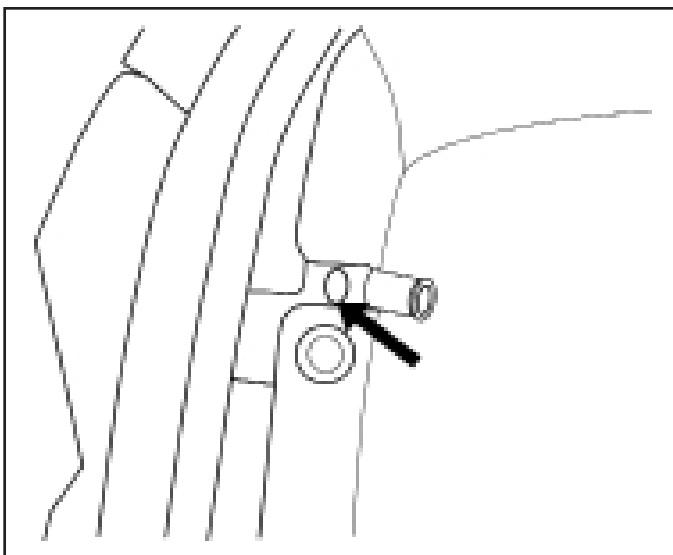


Fig. 6

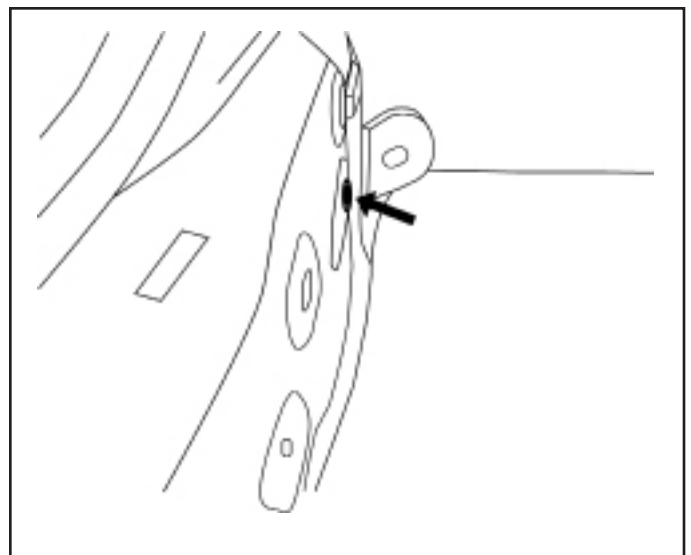


Fig. 7

## 5 Reinstall the Trunk Sill Plate

14. Replace the trunk sill plate by aligning the tabs (Fig. 8A) on the back of the trunk sill plate with the metal body and push down firmly to seat the truck sill plate. (Fig.8)

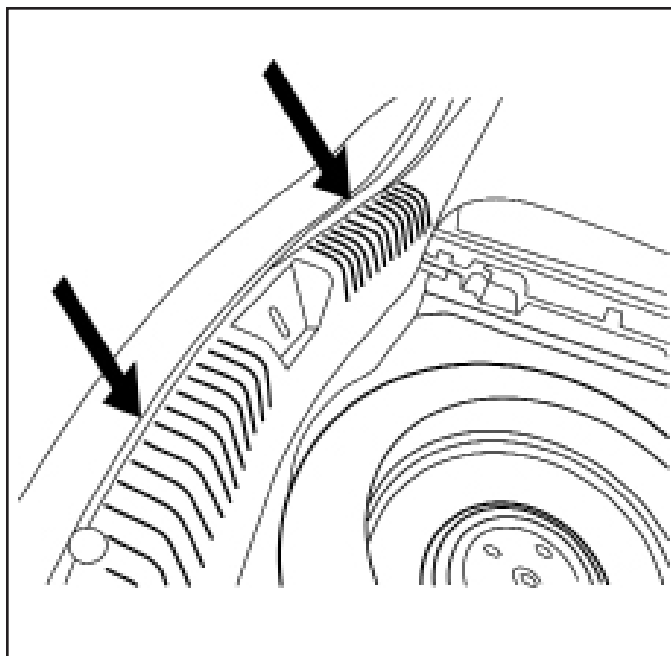
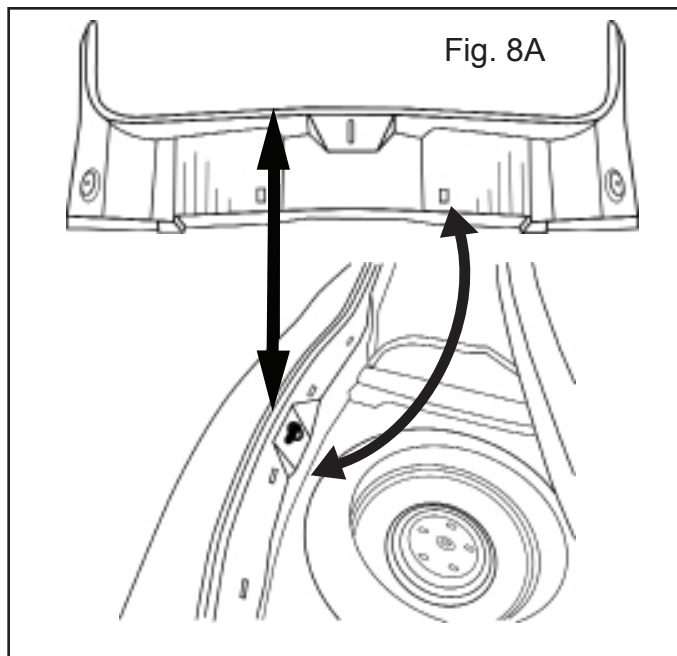


Fig. 8

## 6 T-Anchor Installation

15. Assemble the 4 T-Anchor's and 4 double threaded stud's. (Fig. 9)
16. Screw in the upper T-Anchor assemblies into the rubber wellnut until it is firmly seated to a vertical position. (Fig. 10) Do not tighten excessively. (Fig. 10A)
17. Screw in the lower T-Anchor assemblies into the rubber wellnut until it is firmly seated to a vertical position. (Fig. 10) Do not tighten excessively. (Fig. 10B)

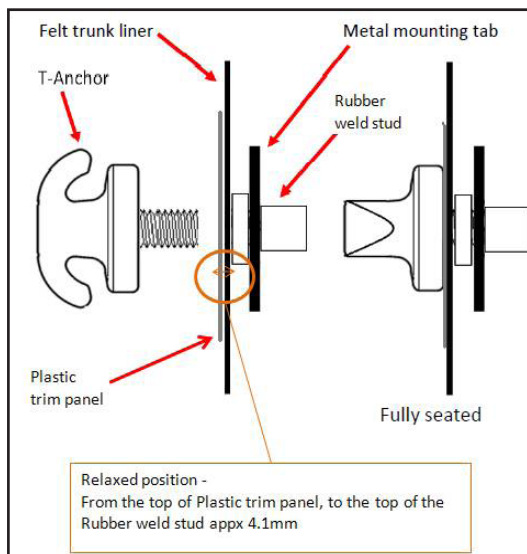


Fig. 9

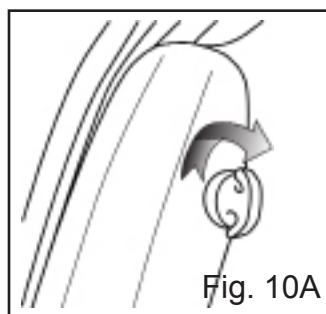


Fig. 10A

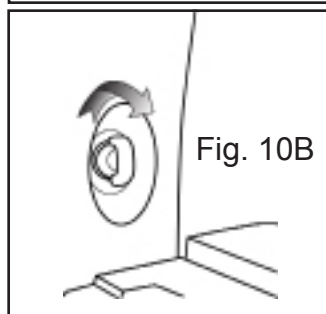


Fig. 10B

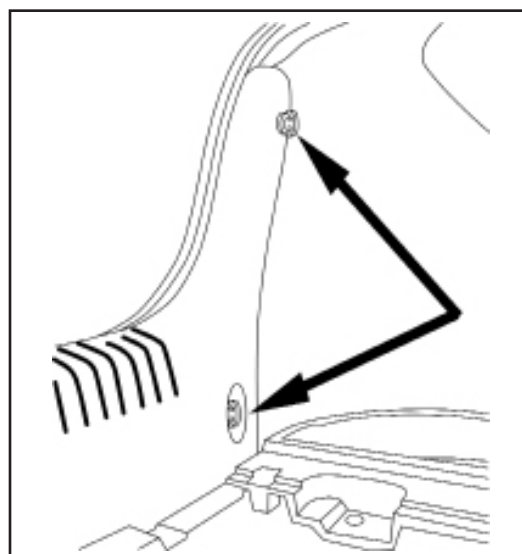


Fig. 10

## 7 Installation of Cargo Net

18. Replace the left plastic trunk tray with the 2 push-pin retainers.
19. Replace the right plastic trunk tray.
20. Replace the foam spacer.
21. Replace the carpeted trunk floor.
22. Install the cargo net by pulling each corner bungee loop around T-Anchors. (Fig. 11A) Ensure the cargo net opening is in the up position and the pull handle is facing rearward. (Fig. 11)

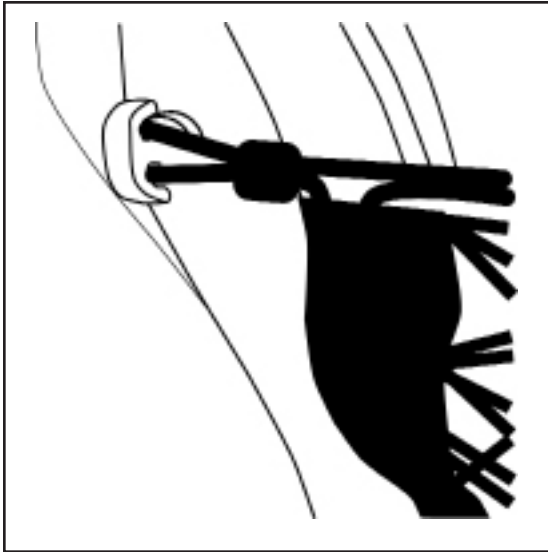


Fig. 11A

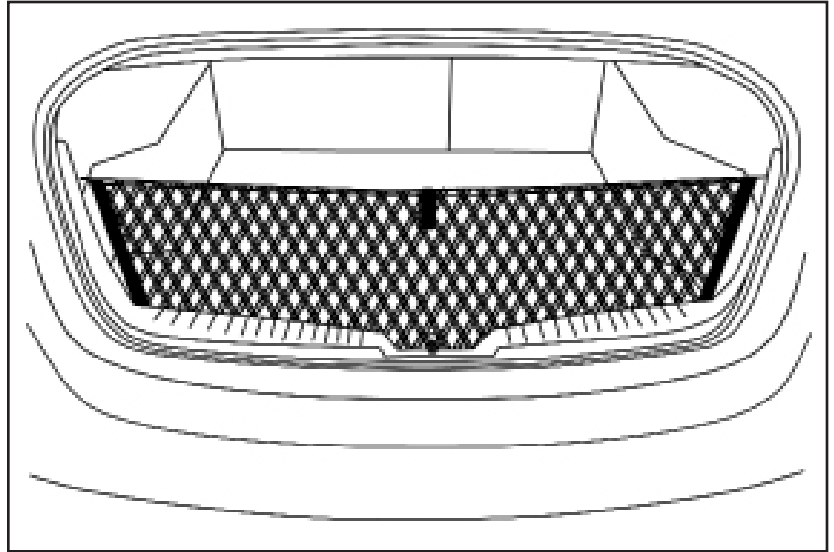


Fig. 11